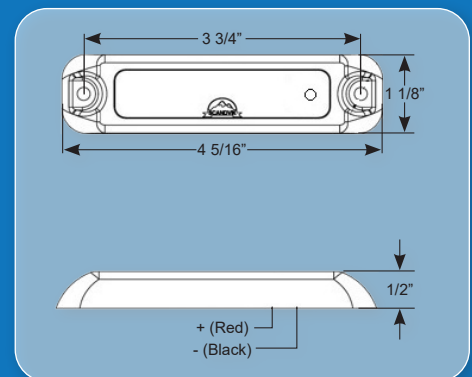
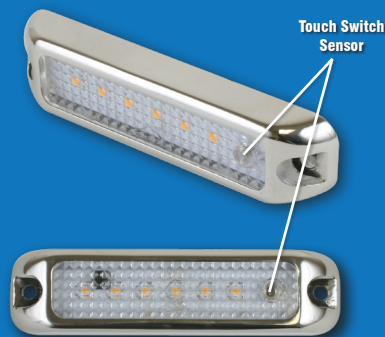


Lighting - LED Locker Lights

#41741P LED Locker Light with 316 Stainless Steel Trim Ring

Our compact Locker Light is small enough to mount almost anywhere where light is needed. Designed to illuminate inside of lockers, hatches, closets and/or bilges. This compact 4" light features a 316 stainless steel trim ring and a **built in on/off switch** that is **back lit with a blue LED** so that it is easily located even in the darkest of lockers. A **touch switch sensor** immediately turns on the light when activated. IP rated for installation in wet-lockers. Works with **12V** and **24V** systems.

- ✓ IP65
- ✓ 10-30V
- ✓ 0.03 Amp
- ✓ 210 Lumen
- ✓ Impact resistant plastic lens
- ✓ 316 Stainless Steel Trim Ring
- ✓ 6 Warm White LEDs (2900-3200K)
- ✓ Surface mount, 2 SS Screws included



#41746P LED Locker Light with Motion Sensor & 316 Stainless Steel Trim Ring

Our compact Locker Light is small enough to mount almost anywhere where light is needed. Designed to illuminate inside of lockers, hatches, closets and/or bilges. This compact 4" light with **motion sensor** and 316 stainless steel trim ring, will automatically turn on when you open the hatch or door. The sensor immediately turns on the light when triggered by a combination of **movement within 6 feet** and **temperature of 98 degrees**. The light will shut off after 20 seconds unless there is movement. IP rated for installation in wet-lockers. Works with **12V** and **24V** systems.

- ✓ IP65
- ✓ 10-30V
- ✓ 0.03 Amp
- ✓ 210 Lumen
- ✓ 316 Stainless Steel Trim Ring
- ✓ Impact resistant plastic lens
- ✓ 6 Warm White LEDs (2900-3200K)
- ✓ Surface mount, 2 SS Screws included
- ✓ Sensor turns on light with movement & temperature of 98 degrees within 6'

