



**Double Under Mount Sink**

**Satin Finish 18/10 Stainless Steel**

**Flange Profile: C (Under Mount)**

**Flange Width: 1/2"**

**Depth: 6"**

**Drain Opening: 2-3/16"**

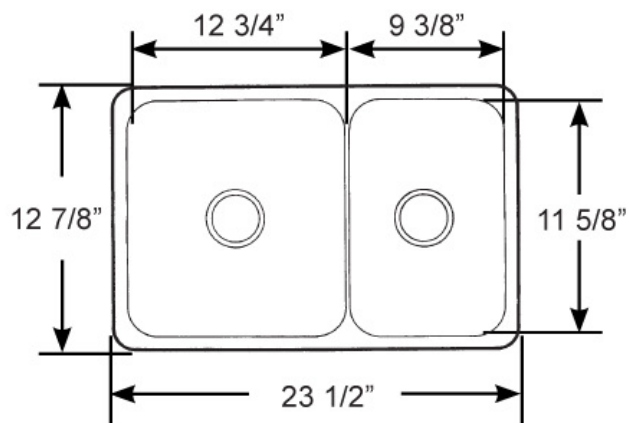
**Fastening System: No**

**Shipping Weight: 32 lbs. (Due to size)**

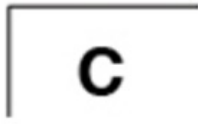


**#10658 Satin Finish**

**SKU# = 10658**



## FLANGE PROFILE VIEW



UNDER MOUNT

---

### LEGEND: Flange Profile

