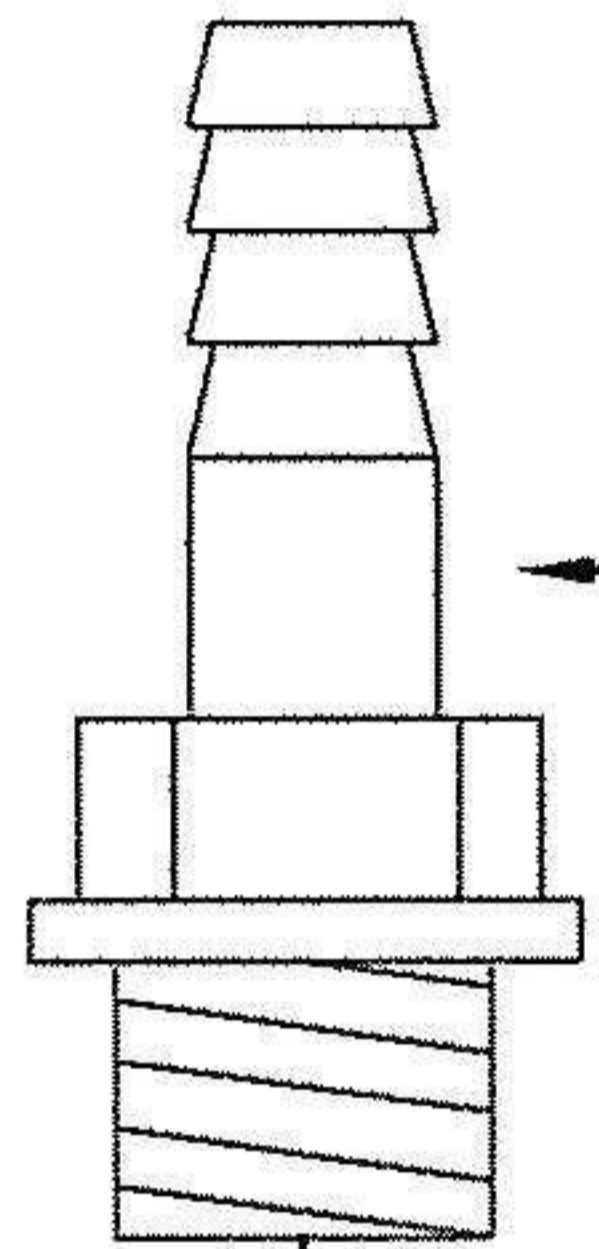
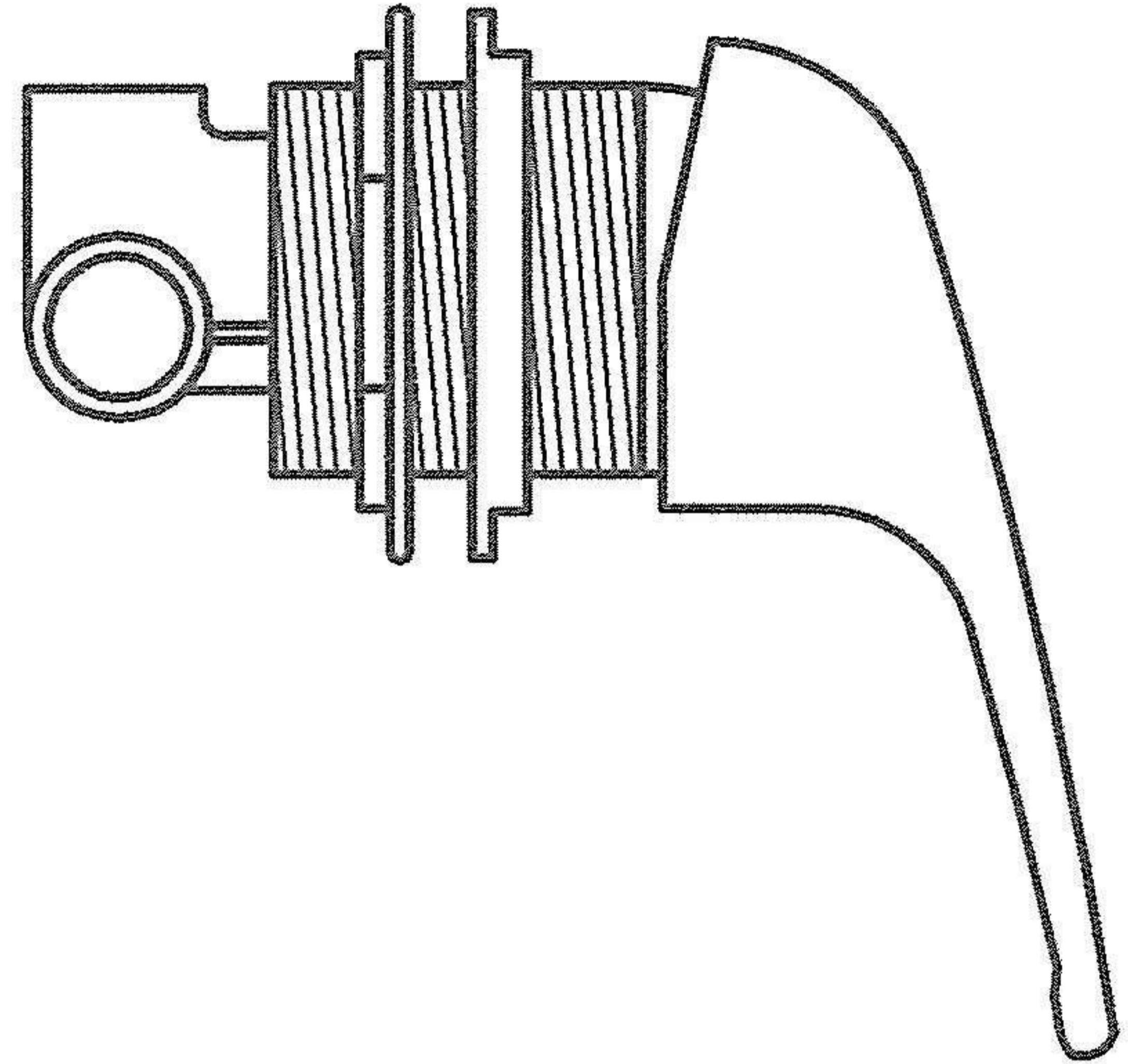
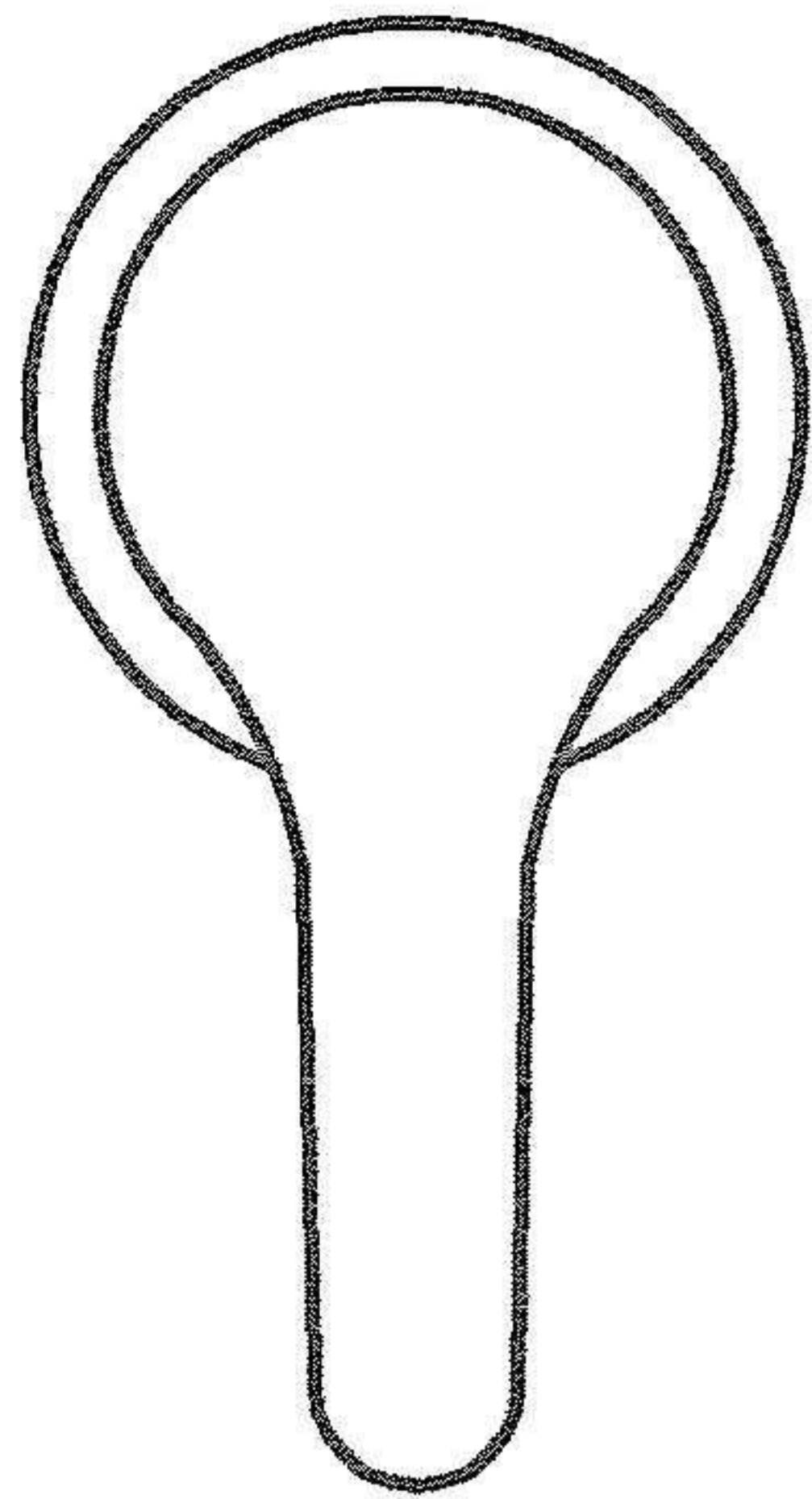


FRONT VIEW

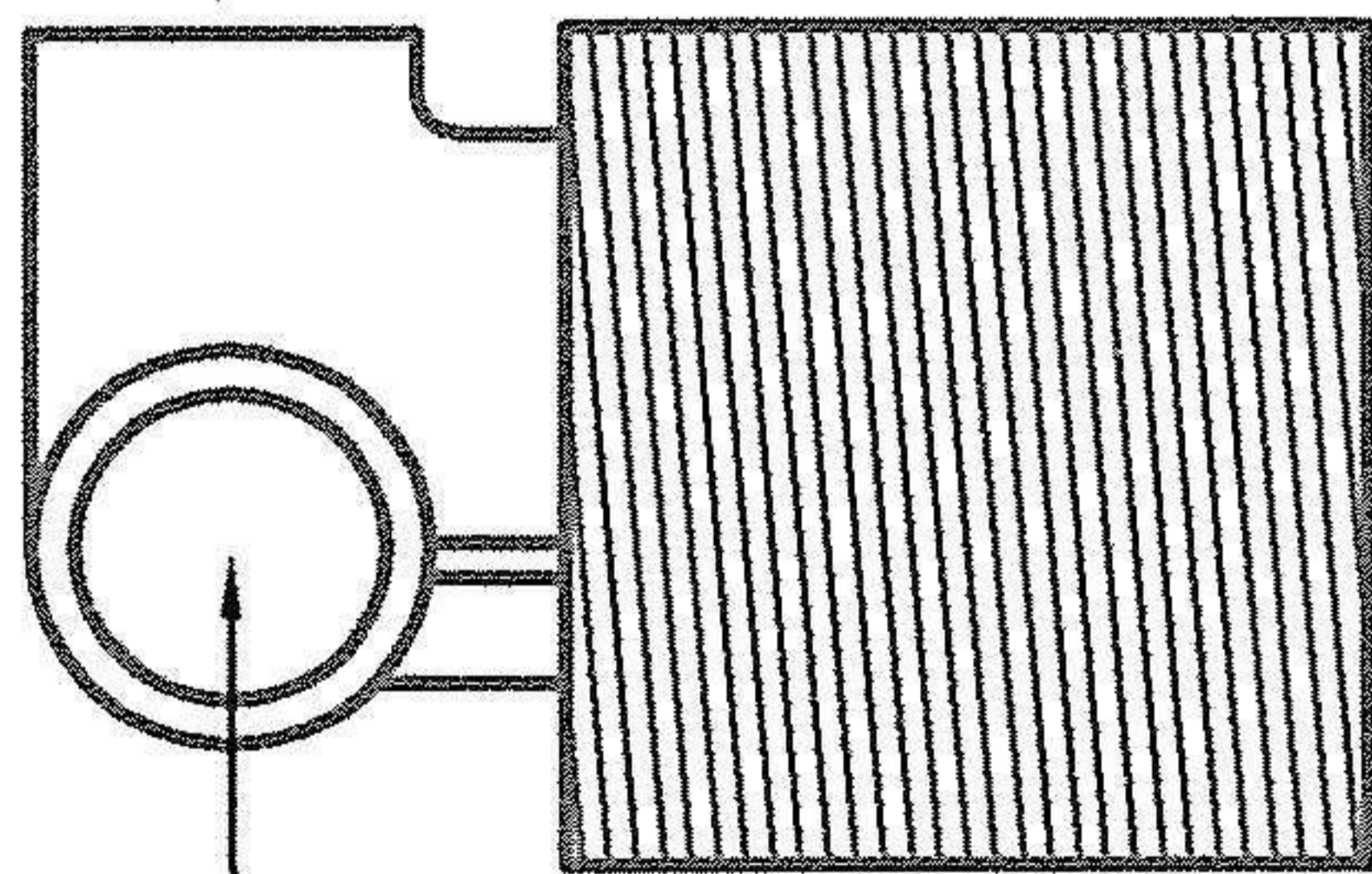
SIDE VIEW



1/2" HOSE BARB
#10948

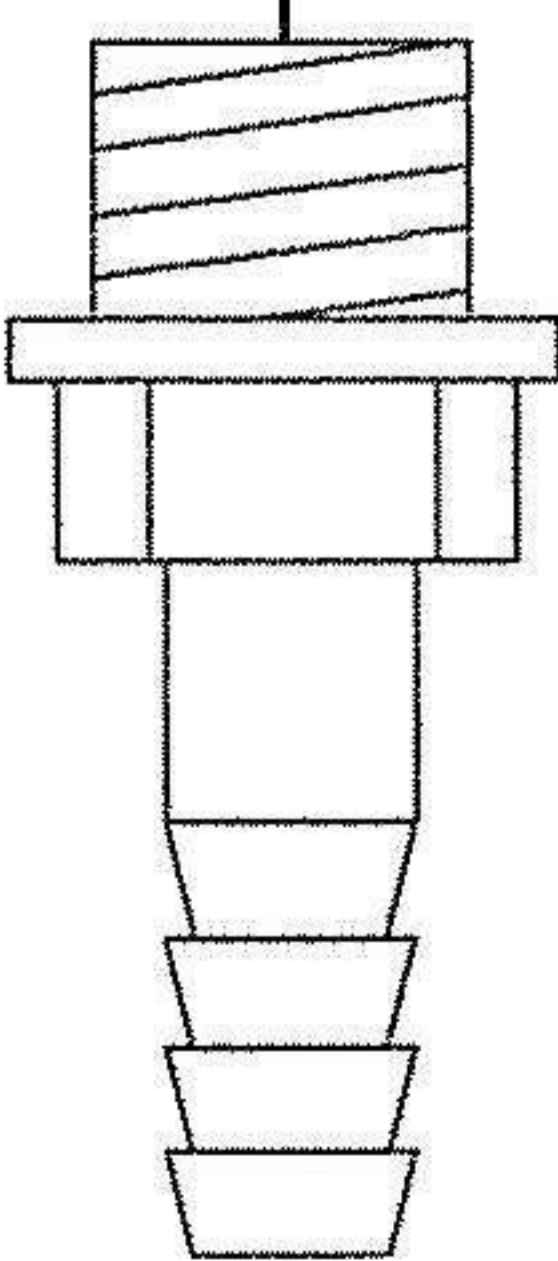
ON/OFF VALVE
#10486

CHROME TRIM
RING #17049



SINGLE LEVER
HANDLE
#17003

Gasket #10950



1" HOSE BARB
#10948

VALVE
RETAINING NUT.

BRASS
MOUNTING NUT
#17066

CHROME COLLAR #17078

SET SCREW,
HANDLE
RETAINER
#17005.

Blue/Red
Indicator Cap
#17060

**To Install Mixer - Unscrew this collar
Then screw on Brass Mounting Nut
Place mixer through bulkhead
Screw on Chrome Trim Ring
Replace this collar**



DRAWING #

90

MODEL #

#10487 is same mixer with #10610 Trim Ring

(106000-MI)