

# SCANDVIK ELECTRIC TABLE, CHAIR PEDESTALS AND TV LIFTS



Courtesy of Chris Craft

## Heavy-Duty Table Pedestal for Large Tables

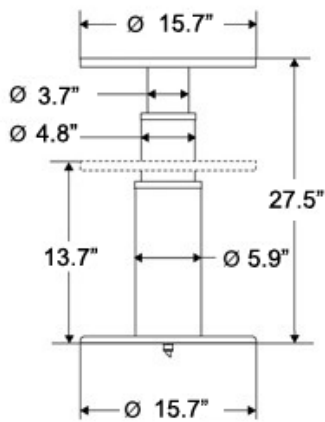
Large diameter, two-stage, electric table pedestal offer the most stable platform for larger heavy tables. The wide base and top measure 15-3/4" in diameter with a 6" diameter aluminum tube extrusion on the bottom. These table pedestals offer extra stability for large table tops up to 220 lbs. Available in tandem version. Chrome plated or Anodized Aluminum finish. Special order tandem models are available.

**#40185** 12V Chrome Plated Aluminum

**#40186** 24V Chrome Plated Aluminum

**#40173** 12V Anodized Aluminum

**#40174** 24V Anodized Aluminum



Anodized Aluminum



Chrome Plated Aluminum



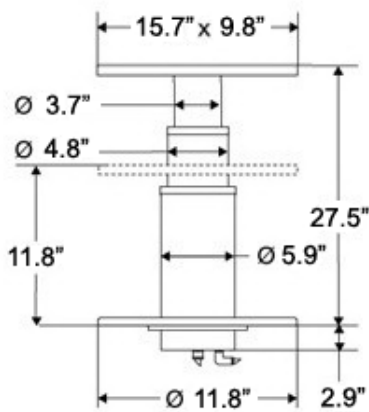
## Electric Table Pedestals



Same heavy duty construction with through-the-floor design to allow a lower minimum height with the same 220 lbs. capacity. Suitable for interior or exterior applications.

**#40183** 12V

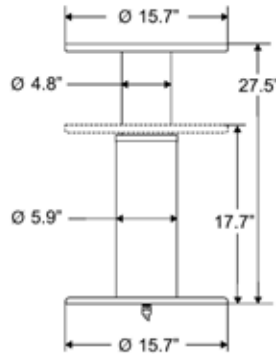
**#40184** 24V



# Electric Table Pedestals

*Single-stage*, deck mount, electric table pedestal allows a lower minimum height when the inner tubes retract inside the larger outer tube. Larger diameter telescoping tubes give greater stability to this base. Suitable for exterior applications. Maximum capacity is 220 lbs. Available in tandem version.

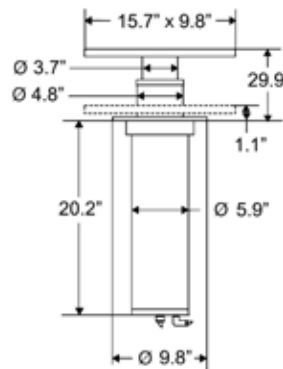
**#40175** 12V  
**#40176** 24V  
SPECIAL ORDER TANDEM



## MINIMUM HEIGHT 1.1 INCHES

*Two-stage*, through-the-deck, electric table pedestal allows a lower minimum height when the inner tubes retract inside the larger outer tube. Larger diameter telescoping tubes give greater stability to this base. Total stroke is 28-3/4". Suitable for exterior applications. Maximum capacity is 220 lbs.

**#40169** 12V  
SPECIAL ORDER 24V  
SPECIAL ORDER TANDEM

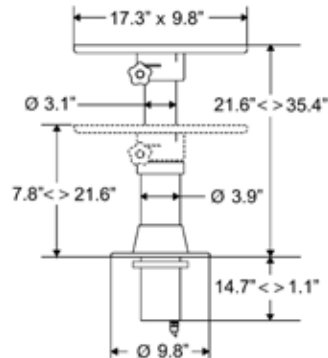


# Electric Table Pedestals

*Single-stage*, through-the-deck, electric table pedestal has an adjustable, through the deck, periscope base which allows for lower minimum height. Table will swivel and lock with under-top handle. Maximum under deck area needed is 14.34" Maximum capacity is 220 lbs.

**#40166** 12V

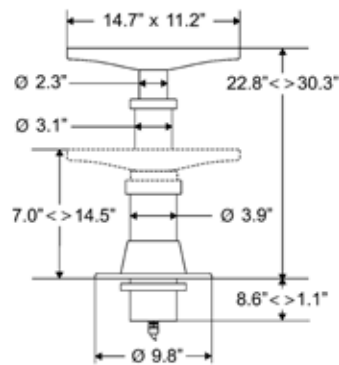
**#40171** 24V



*Two-stage* telescopic, through the deck, electric table pedestal. This version has a lower main tube which can be slid down through the base to obtain a lower minimum and maximum height. Total stroke is 15-3/4". Suitable for exterior applications. Maximum capacity is 220 lbs.

**#40198** 12V

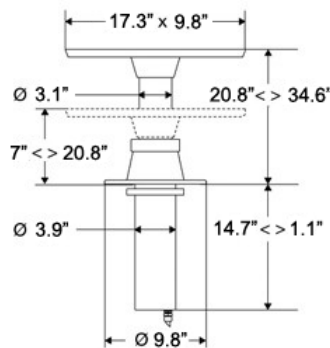
SPECIAL ORDER 24V



*Single-stage*, through-the-deck, electric table pedestal. Total stroke is 13-3/4". Suitable for exterior applications. Maximum capacity is 220 lbs.

**#40152** 12V Rectangular Top

**#40157** 24V Rectangular Top

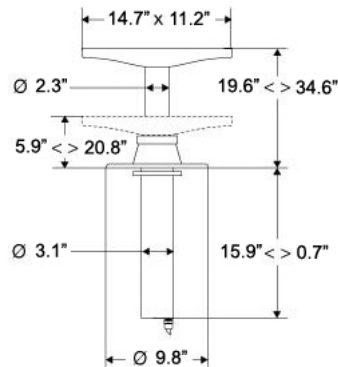




## Electric Table Pedestals

*Single-stage*, through-the-deck, electric table pedestal. Suitable for indoor or outdoor applications. Maximum capacity is 220 lbs.

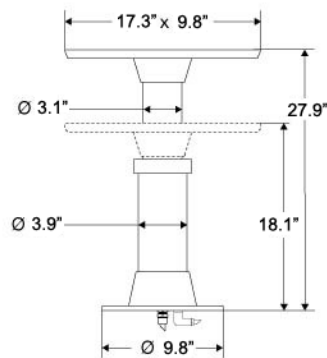
**#40153** 12V X-Top



*Single-stage*, deck mount, electric table pedestal. Maximum capacity is 220 lbs.

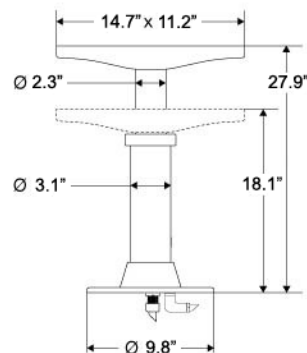
**#40150** 12V Rectangular Top

**#40160** 24V Rectangular Top



*Single-stage*, deck mount, electric table pedestal. Tops are available with either rectangular or X-top versions. Maximum capacity is 220 lbs.

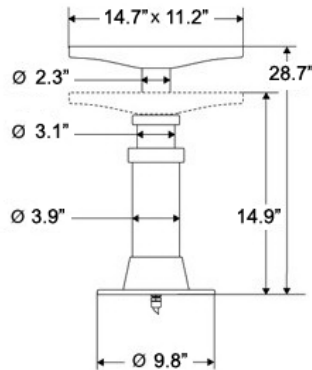
**#40151** 12V X-Top



## Electric Table Pedestals

*Two-stage*, deck mount, electric table pedestal. Maximum capacity is 220 lbs.

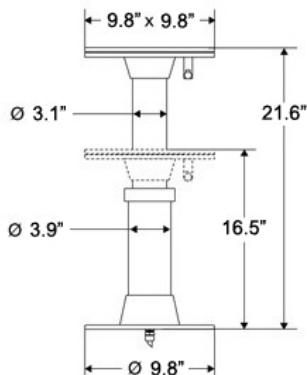
**#40154** 12V X- Top  
**#40165** 24V X- Top



## Electric Chair Pedestals

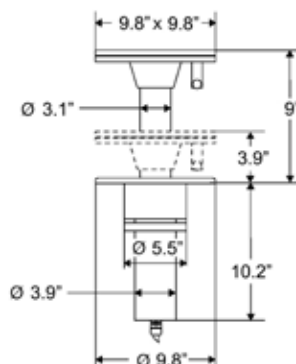
*Single-stage*, surface mount, electric chair pedestal. 5" stroke, base will swivel 360° with locking position every 90°. Suitable for interior or exterior use. Maximum capacity is 550 lbs.

**#40156** 12V Chair Pedestal



*Single-stage*, deck mount, electric table pedestal. Tops are available with either rectangular or X-top versions. Maximum capacity is 220 lbs.

**#40199** 12V Chair Pedestal

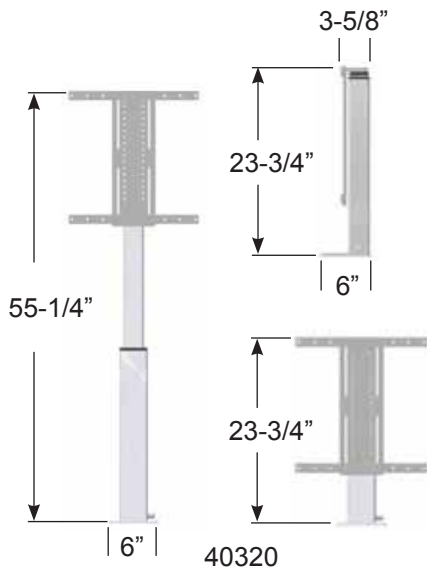


# Electric TV Lift



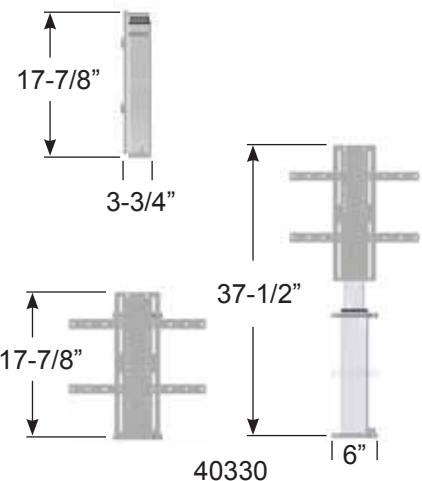
Engineered for the marine environment, these lifts are built with light anodized aluminum alloy. Standard units can accept up to 60" TV screens. On request we can produce units for larger TV sizes.

- Bulkhead or Floor mount
- 12V or 24V
- Made with marine grade anodized aluminum and 316 SS 2-stage worm screw
- IP 67 Indoor or outdoor use
- 220 lbs. Lifting capacity
- Encoded system allows one touch operation. Adjustable top and bottom positions. Includes switch.
- Optional remote control
- Custom sizes on request



### Floor Mount

- #40300** 12V 19-5/8" Stroke
- #40301** 24V 19-5/8" Stroke
- #40310** 12V 25-1/2" Stroke
- #40311** 24V 25-1/2" Stroke
- #40320** 12V 31-1/2" Stroke
- #40321** 12V 31-1/2" Stroke



### Bulkhead Mount

- #40330** 12V 19-5/8" Stroke
- #40331** 24V 19-5/8" Stroke
- #40340** 12V 25-1/2" Stroke
- #40341** 24V 25-1/2" Stroke
- #40350** 12V 31-1/2" Stroke
- #40351** 24V 31-1/2" Stroke



# Linear Actuators

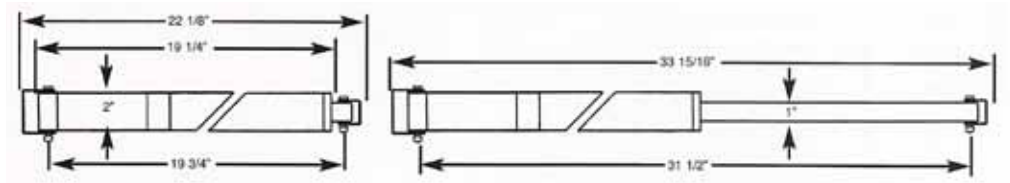


These splash proof, light anodized aluminum alloy struts are designed and built to work in a marine environment. Both push-only, push-pull, encoded and tandem versions are available.

Electrically powered struts to open covers and hatches which either **permit manual lift** (push-only) in the event of a power failure or **do not permit manual lift** (push-pull). Struts which allow manual lift in the event of a power failure have no holding power, therefore hatches and/or other equipment must be equipped with a locking mechanism to keep from bouncing open during periods of bad weather. Designed specifically for use in the marine environment with flame-proof, water-tight body made from non-corrosive anodized alloy.

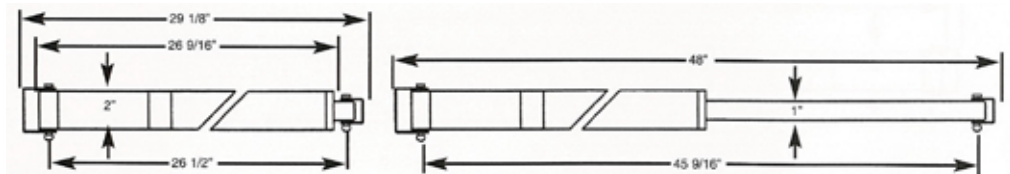
## Push-Pull Versions (Does not allow Manual Lift)

**Stroke:** 12"  
**Capacity:** 330 lbs.  
**Draw:** 5.5 Amp.  
**Fuse:** 6 Amp (12V)  
3.5 Amp (24V)  
**Volts:** 12 or 24



**#40105** 12V  
**#40112** 24V

**Stroke:** 19"  
**Capacity:** 330 lbs.  
**Draw:** 6 Amp.  
**Fuse:** 7 Amp.  
**Volts:** 12

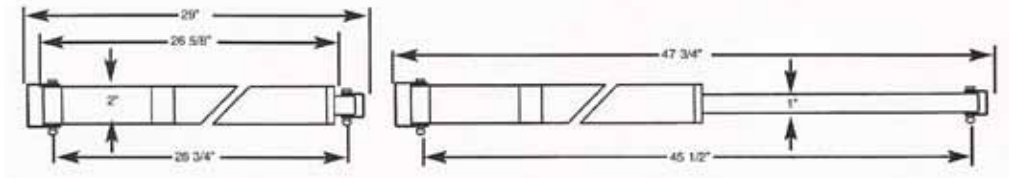


**#40107**

## Push Only Versions (Allows Manual Lift)

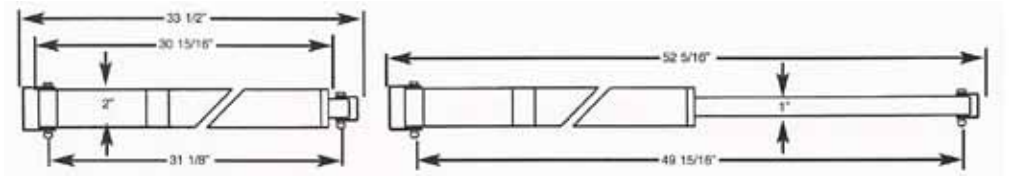
**Stroke:** 19"  
**Capacity:** 330 lbs.  
**Draw:** 6 Amp.  
**Fuse:** 7 Amp.  
**Volts:** 12

**#40100**



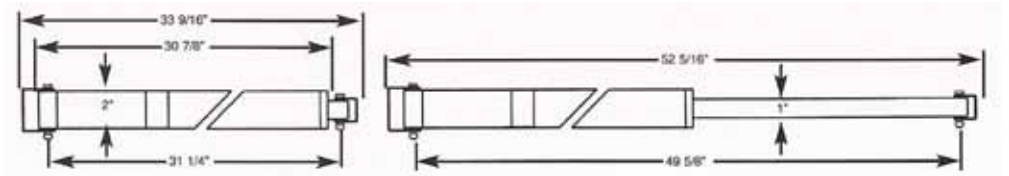
**Stroke:** 19"  
**Capacity:** 440 lbs.  
**Draw:** 8 Amp.  
**Fuse:** 10 Amp.  
**Volts:** 12

**#40102**



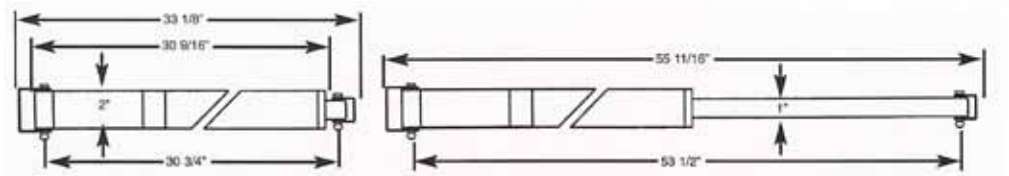
**Stroke:** 19"  
**Capacity:** 440 lbs.  
**Draw:** 8 Amp.  
**Fuse:** 5 Amp.  
**Volts:** 24

**#40106**



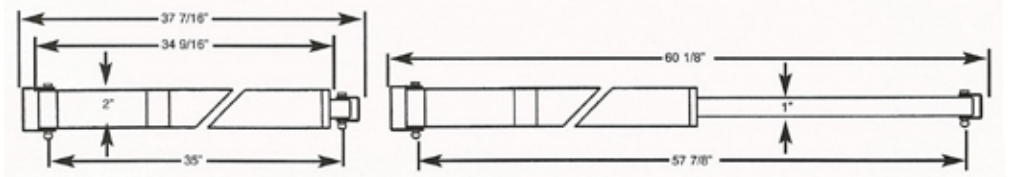
**Stroke:** 23"  
**Capacity:** 330 lbs.  
**Draw:** 6 Amp.  
**Fuse:** 7 Amp.  
**Volts:** 12

**#40101**



**Stroke:** 23"  
**Capacity:** 440 lbs.  
**Draw:** 4 Amp.  
**Fuse:** 5 Amp.  
**Volts:** 24

**#40110**



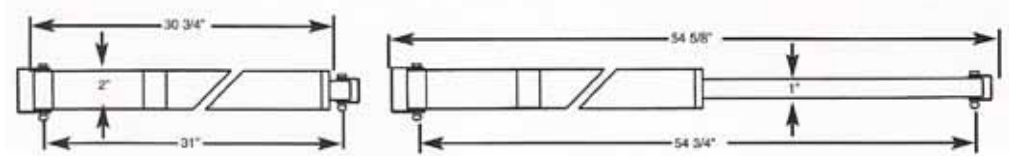
**Stroke:** 23"  
**Capacity:** 440 lbs.  
**Draw:** 4 Amp.  
**Fuse:** 10 Amp.  
**Volts:** 12

**#40103** (push only)

**#40115** (push-pull)

**#40117** 2 each 40103 - tandem

**#40118** 2 each 40115 - tandem







[www.scandvik.com](http://www.scandvik.com)